

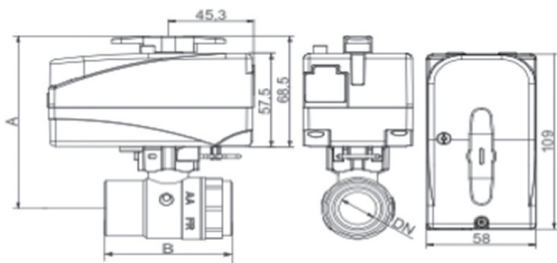


## Actuator to Fit CRZ2 / CRZ3 Valves

### Features

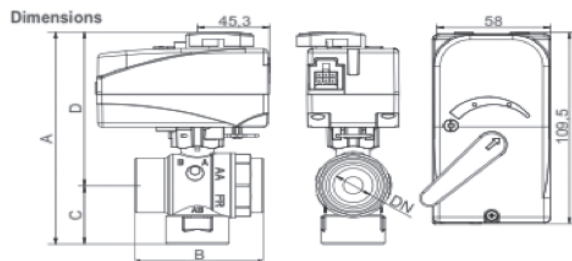
- Quick connection/release CLIP system utilised
- ON-OFF Control via Most Room Thermostats
- Controlled via SPST or SPDT switch
- Auxiliary switch for start/stop of pump etc
- Manual Control/override
- 24V/230V options

### CRI2



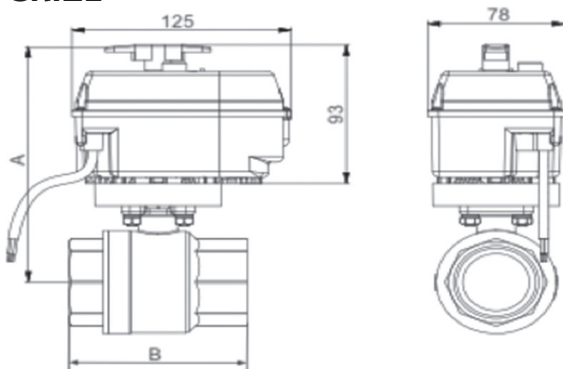
DN	1/2"	3/4"	1"	1 1/4"
Ø	15	20	25	32
A	104	107	112	117
B	62	68	81	86

### CRI3



DN	3/4"	1"	1 1/4"
Ø	20	25	32
A	144	150	165.5
B	68	81	86
C	40	43	52
D	104	107	113.5

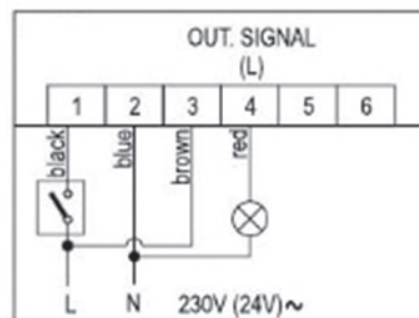
### CRI2L



DN	1 1/2"	2"
Ø	40	50
A	158	178
B	102	122

### Technical Data

Max Torque	8/15 Nm
Ingress Protection	IP44
Running Time	30 Sec / 90°



Dimensions in mm

This data sheet is designed as a guide and should not be regarded as wholly accurate in every detail. We reserve the right to amend the specification of any product without notice.